



# T501 LEDB-4FT

OUTDOOR LINEAR LIGHT

## JOB INFORMATION

Type: \_\_\_\_\_  
 Catalog No: \_\_\_\_\_  
 Project Name: \_\_\_\_\_  
 Comments: \_\_\_\_\_  
 Prepared by: \_\_\_\_\_

T321LEDB-WS140

### USE OF PRODUCT

The intended use of this series is for exterior and semi-exterior architectural applications requiring uniform linear illumination and durable, sealed construction. Suitable for wet location installations where exposure to moisture, humidity, and environmental contaminants is present.

### CONSTRUCTION

Precision-formed extruded aluminum housing with a fully sealed IP65 construction for wet-location performance.

### FINISH

Durable exterior-grade powder coat finish available in Black or White.

### OPTICS

Wide 110° distribution optic with a high-transmission polycarbonate lens delivers smooth, uniform, glare-controlled illumination.

### LED

High-performance LED array with color temperature selectable 3000K / 3500K / 4000K CCT, 90 CRI, and an estimated L70 ≥100,000-hour lifespan per IES TM-21 at 25°C.

### DRIVER

Integral driver with universal 120–277V input and standard 0–10V dimming. Field-selectable wattage settings provide output flexibility at 50W / 40W / 30W, while maintaining high efficiency, power factor >0.9, and THD <20%.

### MOUNTING

Available with surface, wall, or 2 ft. stem pendant mounting options to accommodate a wide range of exterior and semi-exterior installation conditions.

### OPTION

Optional straight connector kit allows multiple fixtures to be aligned and connected in continuous linear runs.

### LISTINGS/COMPLIANCE/ WARRANTY

- UL/cUL - Suitable for wet locations. (IP65)
- 5-year limited warranty.



## ORDERING INFO

SERIES	WATT/LUMENS	COLOR TEMPERATURE	VOLTAGE
<b>T501LEDB-4FT</b>	<b>WS50</b> - Wattage Selectable (50W, 40W, 30W) <b>S50W</b> - Set at 50W <b>S40W</b> - Set at 40W <b>S30W</b> - Set at 30W	<b>CTS</b> - Color Temperature Selectable (3000K, 4000K, 5000K) <b>S30K</b> - Color Temp. set at 3000K <b>S35K</b> - Color Temp. set at 4000K <b>S40K</b> - Color Temp. set at 5000K	<b>UNV</b> - 120V-277V

FINISH	MOUNTING	OPTIONS
<b>W</b> - White <b>B</b> - Black <b>MTO</b> - Made To Order	<b>SM</b> - Surface Mount <b>PH2W</b> - 2ft. White Pendant <b>PH2B</b> - 2ft. Black Pendant <b>WMW</b> - White Wall Mount <b>WMB</b> - Black Wall Mount	<b>C</b> - Connection Kit

T501LEDB-4FT PERFORMANCE CHART (50W)

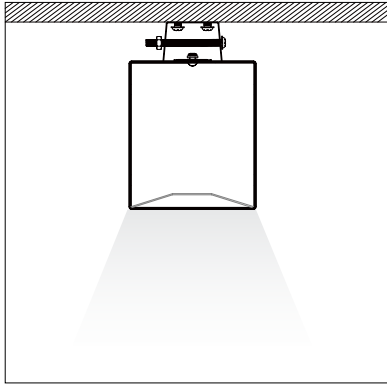
Color Temperature	3000K	3500K	4000K
Delivered Lumens Per Foot	1375 lm/ft	1375 lm/ft	1438 lm/ft
Input Watts Per Foot	12.5 W/ft	12.5 W/ft	12.5 W/ft
Lumens Per Watt	110 lm/W	110 lm/W	115 lm/W



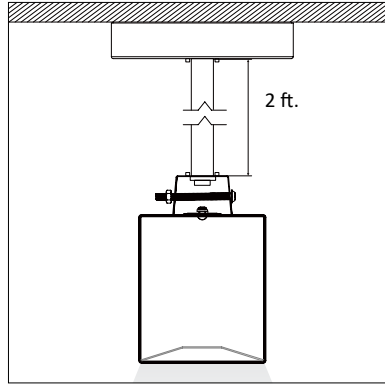
# T501 LEDB

4 ft OUTDOOR LINEAR LIGHT

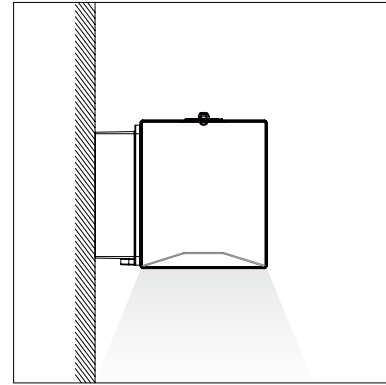
## MOUNTING



SURFACE MOUNT

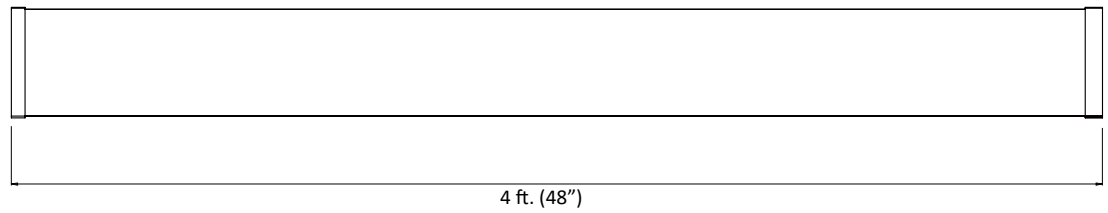
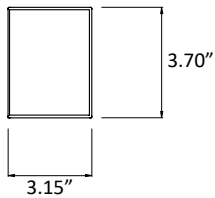


PENDANT MOUNT

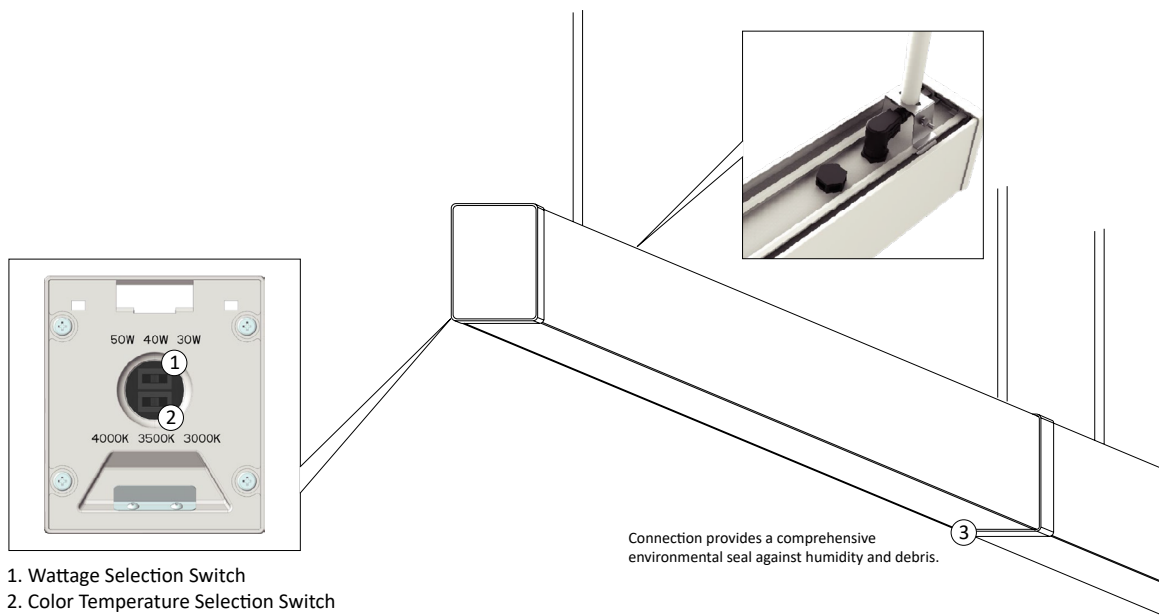


WALL MOUNT

## DIMENSIONS



## OPTIONS



Connection provides a comprehensive environmental seal against humidity and debris.

1. Wattage Selection Switch
2. Color Temperature Selection Switch
3. Connection Kit